

ZT370 LV-LP-BY Series

THE PERFECT MATCH FOR NEW BOATS & REPOWERING



Yanmar Marine is dedicated to the needs and preferences of people who enjoy boating, and those who support them, all around the world. With regional headquarters in Europe, the United States, Asia and Japan, plus full-scale sales and service support facilities in more than 130 countries, Yanmar Marine provides engines, drive systems and accessories for all types of boats, from runabouts to sailing craft, from cruisers to luxury power boats. In pleasure boating, the worldwide reputation of Yanmar Marine is second to none.



**Yanmar designs its marine engines with respect for nature.
Enjoy your boating with Yanmar and still hold on to nature's glow.**



Head Office
Yanmar Co. Ltd.
Umeda Gate Tower, 1-9 Tsurunochi, Kita-ku
530-8311 Osaka, Japan
www.yanmar.com

Regional Offices / Sales & Service
Yanmar Europe B.V.
Brugplein 11, 1332 BS Almere, The Netherlands
T +31 (0)36 549 3200
F +31 (0)36 549 3209
www.yanmar.eu

Dealer

www.yanmar.eu

Call for Yanmar solutions



DESIGNED & BUILT BY YANMAR - THE ZT370 DIESEL STERNDRIVE

POWER & PROPULSION

Designed, built and proven by Yanmar, the all-new ZT370 sterndrive is the perfect match for Yanmar's 8LV, BY and LP marine engine series. The ZT370: unsurpassed for new installations and ideal for repowering.

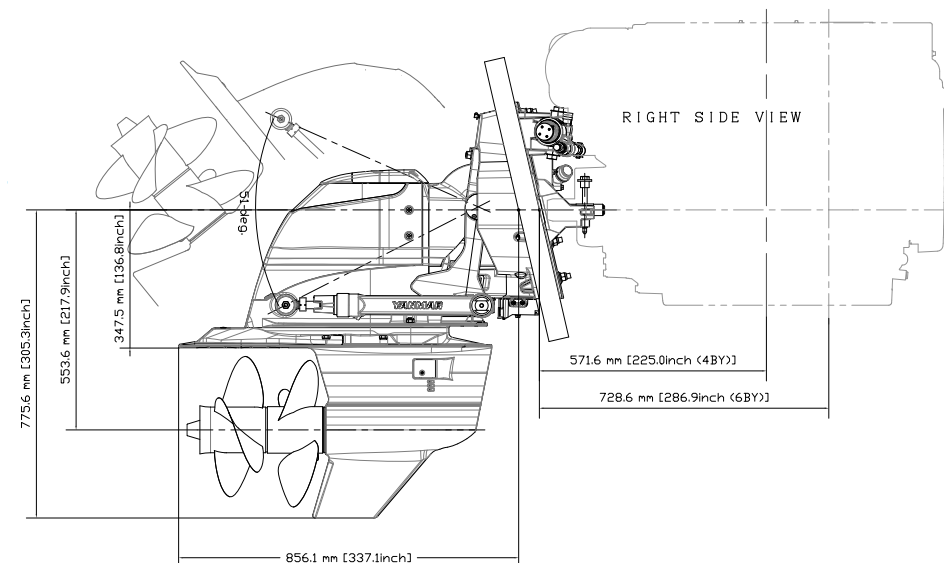
The propulsion system is the heartbeat of your boat. It needs all of those renowned Yanmar qualities of performance, reliability, durability and respect for nature. Now, high technology engines and leading edge drives are available in an all-Yanmar power package, brought together for the very best in boating enjoyment.

The quiet, hydrodynamic ZT370 has a new type of hydraulic clutch for exceptional smoothness, precision forged gears for extra-long life, two counter-rotating propellers for superb acceleration and tight-hold tracking, and large rudder dimensions for superior handling on single and twin engine boats. All with low noise, corrosion protection and minimised maintenance.



ZT370: THE CHOICE IS YOURS

- New engines or repowering
- Single or dual installation
- Also available with integrated electromagnetic shift
- In combination with Yanmar's all new VCS electronic system, you can use the newly developed joystick for easy manoeuvring



ZT370: THE CHOICE IS YOURS

**SPECIFICATIONS SUMMARY
YANMAR ZT370 STERNDRIVE**

Maximum Horsepower	370mhp @ 3800rpm
Maximum Input Speed	4000rpm
Maximum Input Torque	800Nm (370mhp @ 3800rpm)
Gear Ratios	See box below for available ratios
Steering Angle	30 degrees
Tilt Angle	51 degrees
Trim Zone	-6 degrees to 10 degrees
Propeller System	Counter rotating twin propellers
Propeller Range	22 / 24 / 26 / 28 inches
Propeller Input	Counter clockwise
Front Propeller	Rotation Counter clockwise
Rear Propeller	Rotation Clockwise
Clutch System	Hydraulic multi-friction plate
Shift Control System	Mechanical / Electro-magnetic
Power Steering System	Mechanical cable with hydraulic power assist
Trim / Tilt System	Hydraulic power
Exhaust System	Integral through hub
Water Pick-up System	Integral through drive
Anti-Corrosion System	Electronic active control
Mass (Weight)	112kg / 247 lbs (with Yanmar propellers)

GEARS	1.65	1.78	1.97	2.18
8LV Series	Yes	Yes	No	No
LP Series	Yes	Yes	No	No
BY Series	Yes	Yes	Yes	Yes



YANMAR ZT370 PERFORMANCE & PRECISION

- Hydraulic clutch for shockless engagement
- Precision-forged teeth gears for durability and long life
- Counter-rotating propellers for best acceleration and tracking
- Through-hub exhaust designed for extra-low back pressure
- Complete with power assisted steering and power trim
- Installation dimensions according to market standards
- Reduction ratios 1.65 / 1.78 / 1.97 / 2.18

Designed, developed & manufactured by Yanmar

No matter where you buy your Yanmar-powered craft, no matter where you take it, you can rely on expert and efficient support from the international service dealer network.