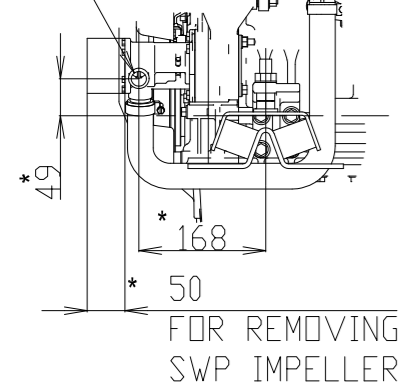
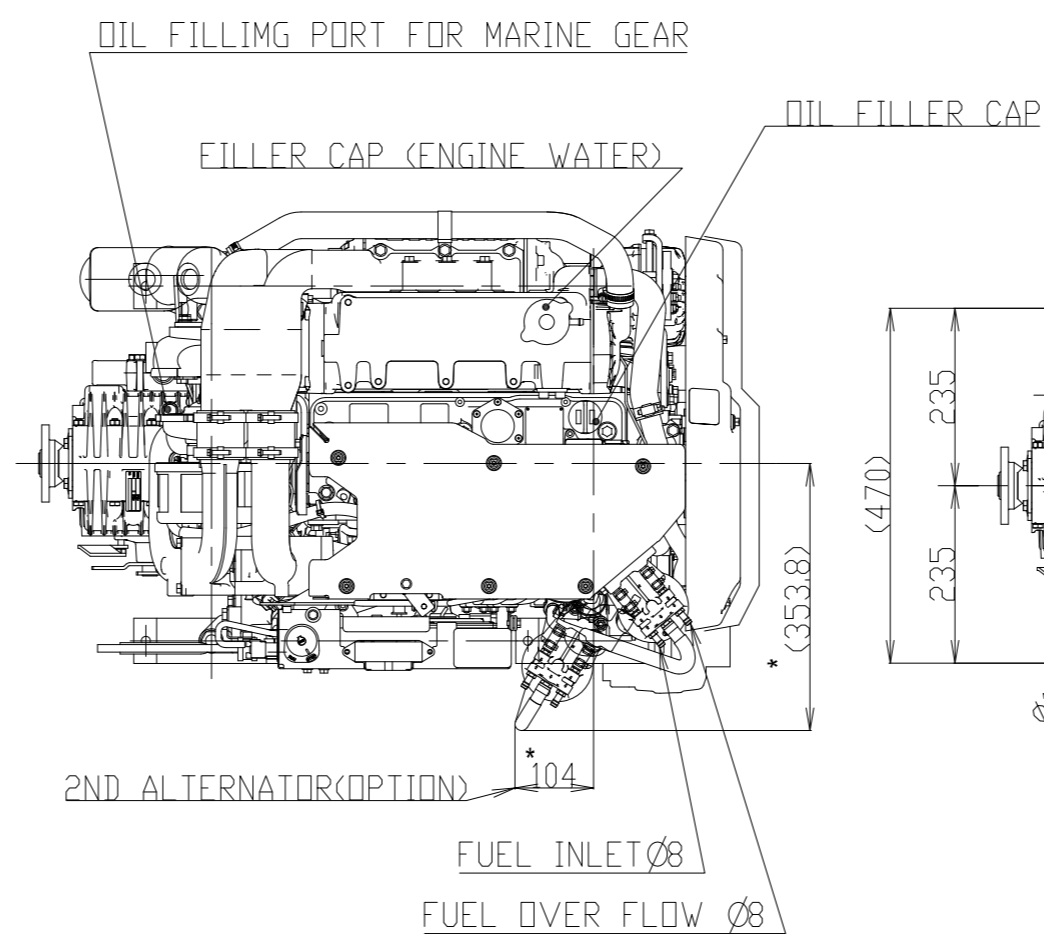
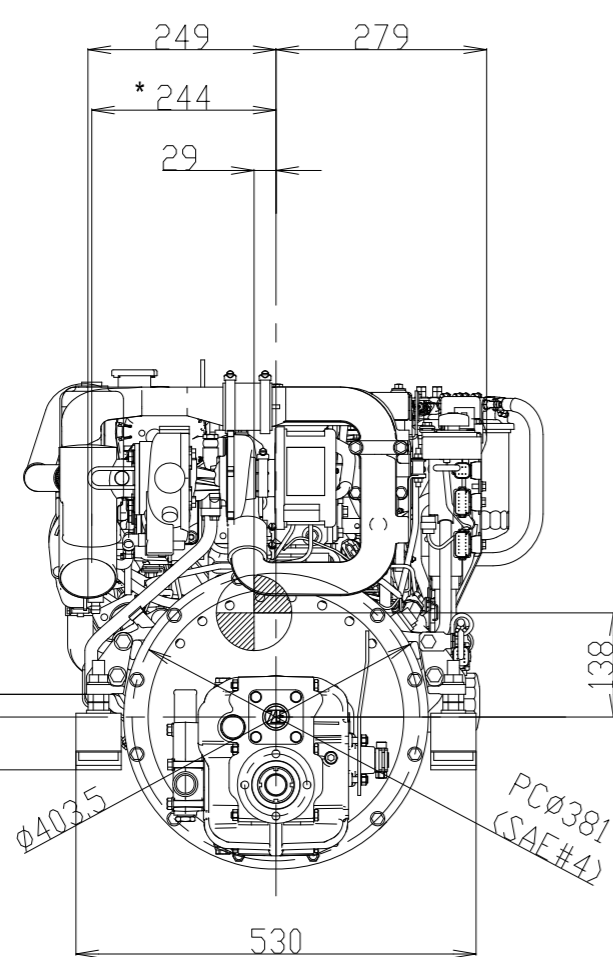


SEA WATER INLET (ENGINE) (THE SAME AS 4JH57/45)

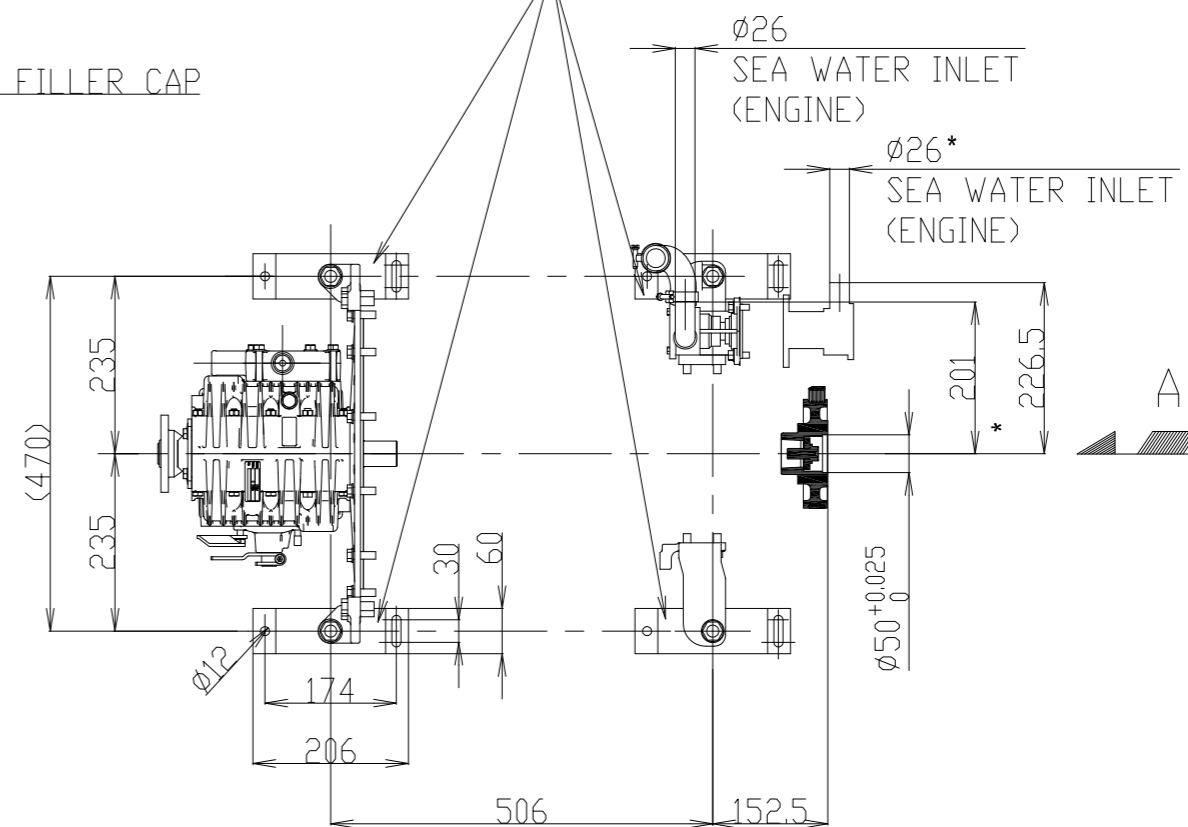


PART D FRONT MOUNT SWP (OPTION)

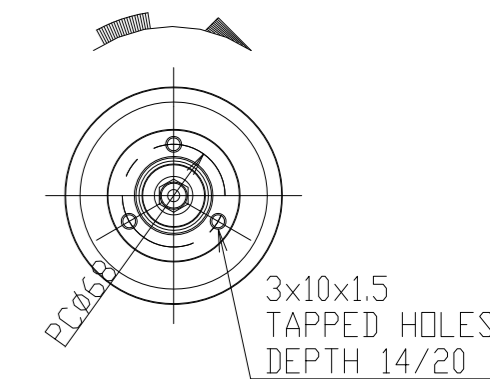
C MAX.110 MIN.100



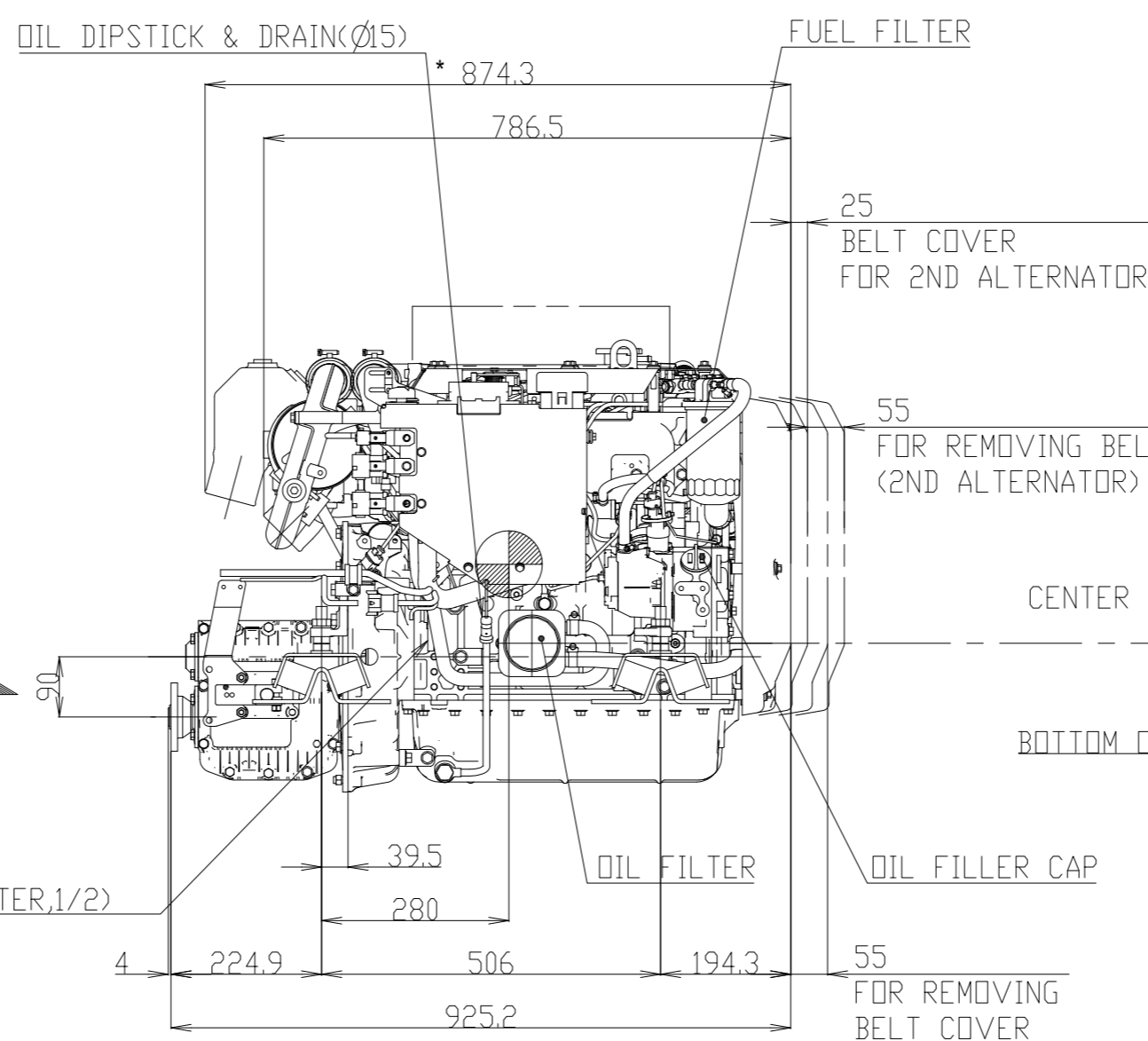
MOUNTING BLOCKS ID#200



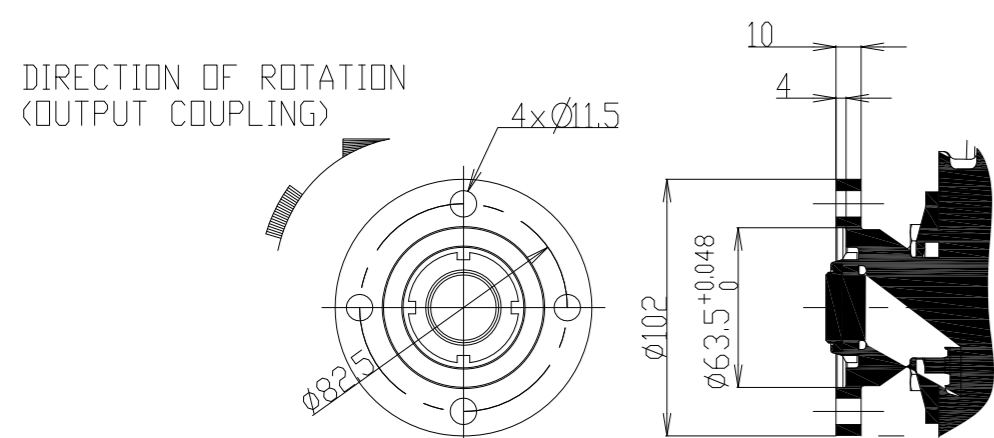
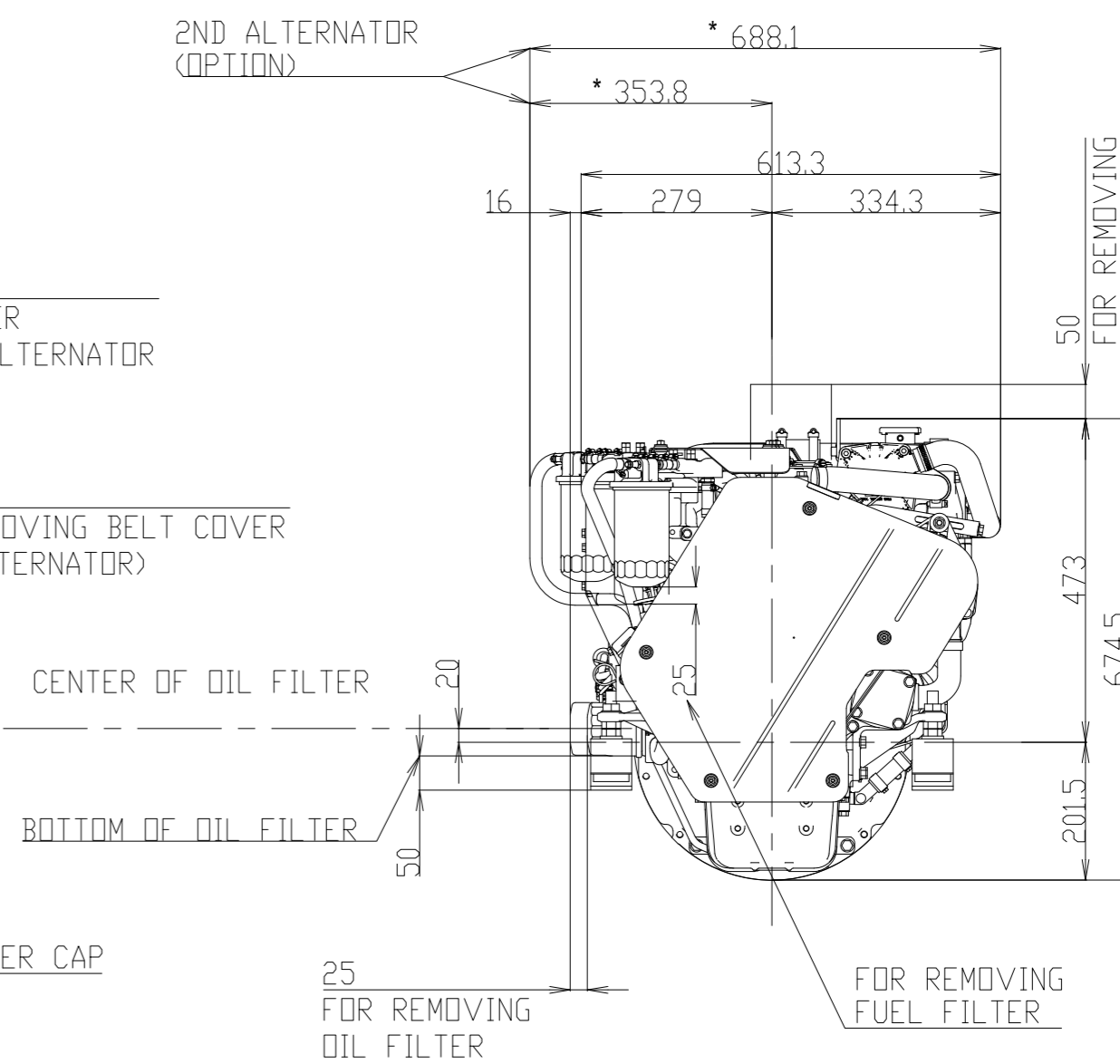
DIRECTION OF ROTATION (ENGINE)



DETAIL OF PULLEY SCALE 1:5 ARROW A



2ND ALTERNATOR (OPTION)



DETAIL OF COUPLING SCALE 1:3 ARROW B

- NOTE
- 1.MOUNTING BLOCKS ARE COMPRESSED ABOUT 4mm BY ENGINE WEIGHT. DIMENSIONS OF MOUNTING BLOCK IN THIS DRAWING ARE WITHOUT ANY DEFORMATION.
 - 2.MOUNTING BLOCKS ARE EQUIPPED FOR STANDARD ACCESSORY.
 - 3.THE FIGURES MARKED WITH *SHOW THE DIMENSIONS WITH U-MIXING ELBOW, OR OPTIONAL PARTS.
 4. ● SHOWS THE CENTER OF GRAVITY.

SPECIFICATIONS						
Model			4JH110		4JH80	
Continuous Power(ISO 8665)		kW/min ⁻¹	73.6 / 3101		53.5 / 3101	
Fuel Stop Power	Propeller shaft(ISO 8665)	kW/min ⁻¹	---		---	
	Crankshaft(ISO 8665)	kW/min ⁻¹	80.9 / 3200		58.8 / 3200	
Reduction ratio			2.15	2.70	---	2.15
Dry mass	kg		Approx.254			
Direction of Rotation at Output Coupling (Forward)			Clockwise			

SCALE	NAME	MODEL
1:10	OUTLINE	4JH110-ZF30M
DATE	ORIGINAL DRAWING NUMBER	REVISION
17-3-2014	B2-29677-0051	0