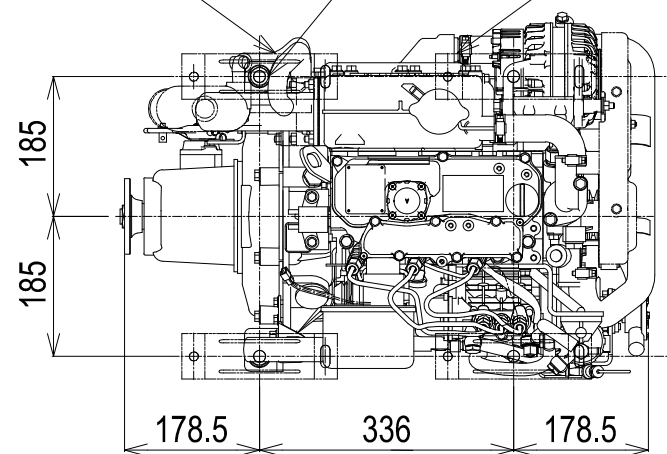


U-MIXING ELBOW
Ø51(OPTIONAL)

MOUNTING BLOCKS ID#75

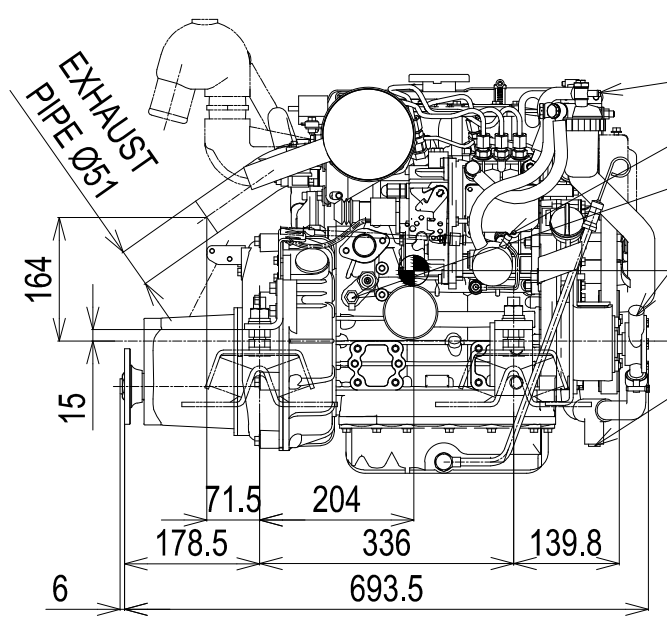
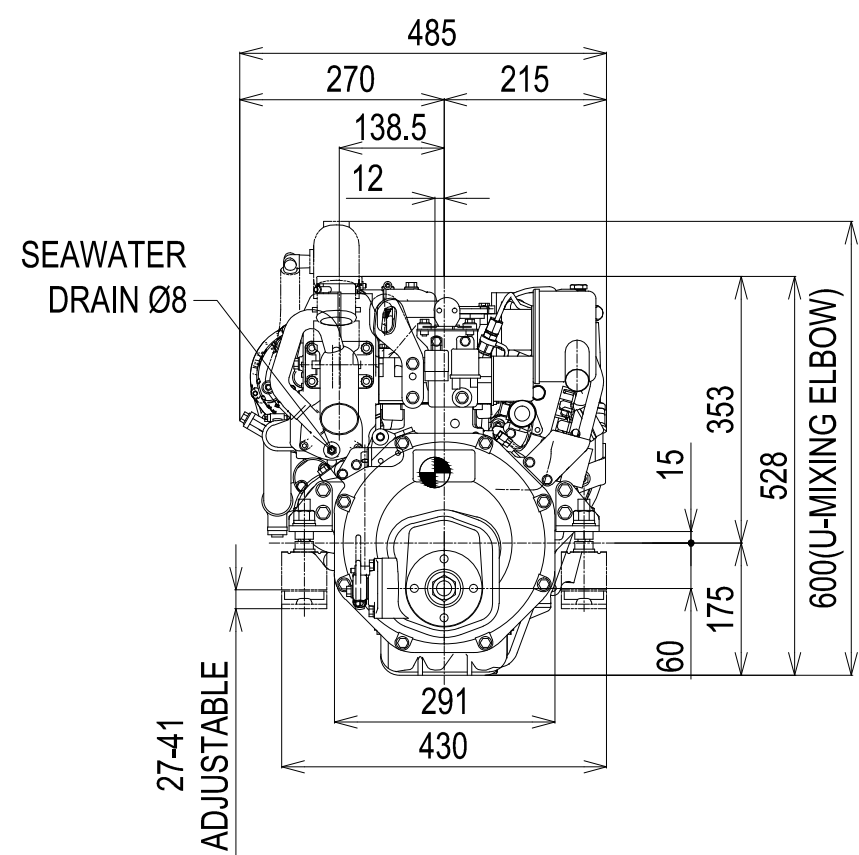
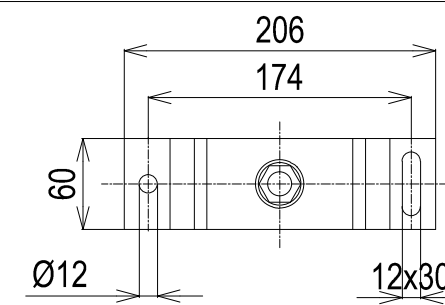
4-Ø17

MOUNTING BLOCKS ID#100

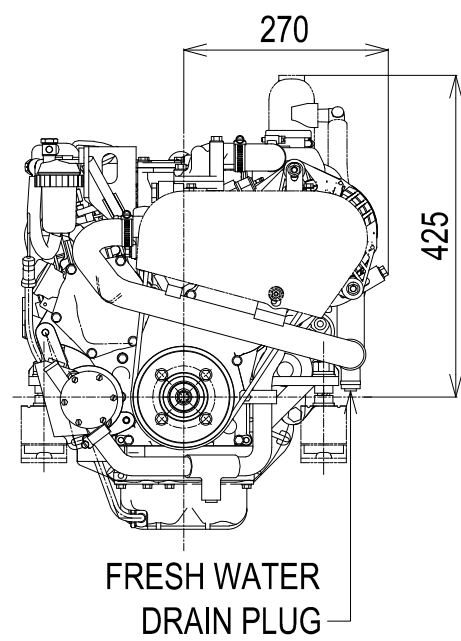


A

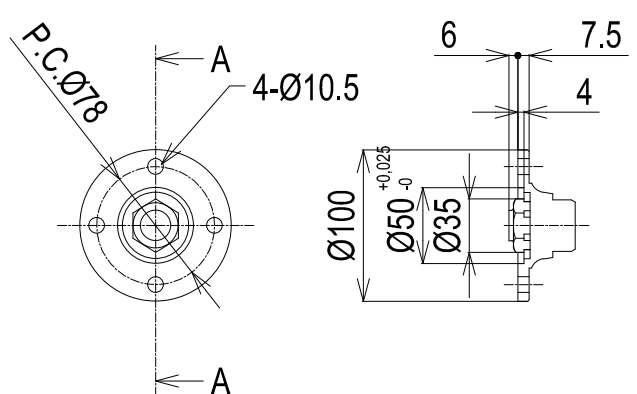
DETAIL OF MOUNTING BLOCK



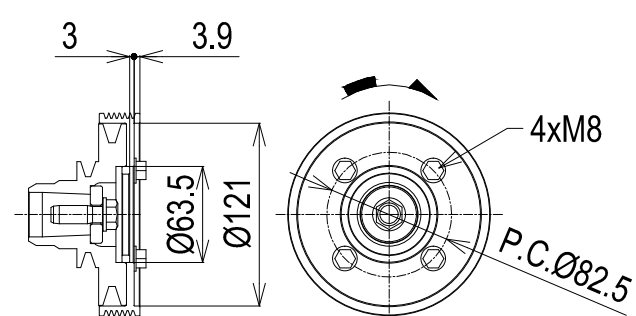
FUEL OVERFLOW Ø8
FUEL INLET Ø8.3
FRESH WATER DRAIN Ø8
WATER INLET Ø19.5
SEAWATER DRAIN PLUG



DETAIL OF COUPLING



DIRECTION OF ROTATION



DETAIL OF PULLEY
VIEWED FROM A

NOTE:

- 1.DWG.SHOWS MOUNTING BLOCKS AT ORIGINAL HEIGHT. ENGINE WEIGHT WILL COMPRESS BLOCKS BY 4.5 MM(APPROX).
- 2.MOUNTING BLOCKS ARE EQUIPPED FOR STANDARD ACCESSORY.
- 3.⊙ SHOWS THE CENTER OF GRAVITY.
- 4.FOR ADDITIONAL INSTALLATION INFORMATION AND SPECIFICATIONS PLEASE REFER TO THE YANMAR ENGINE INSTALLATION MANUAL

Engine:	3YM20_KM2P1	Release:	26-11-2012
Scale:	1:10	Date:	01-06-2013
		Dimensions:	mm

