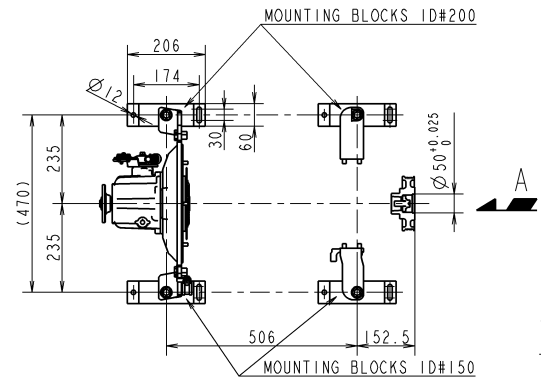
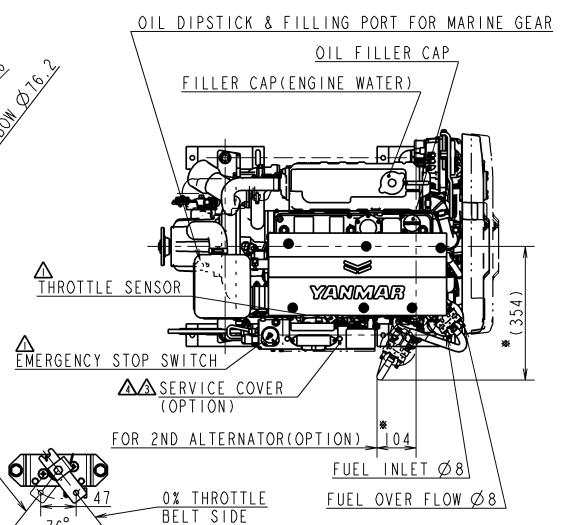
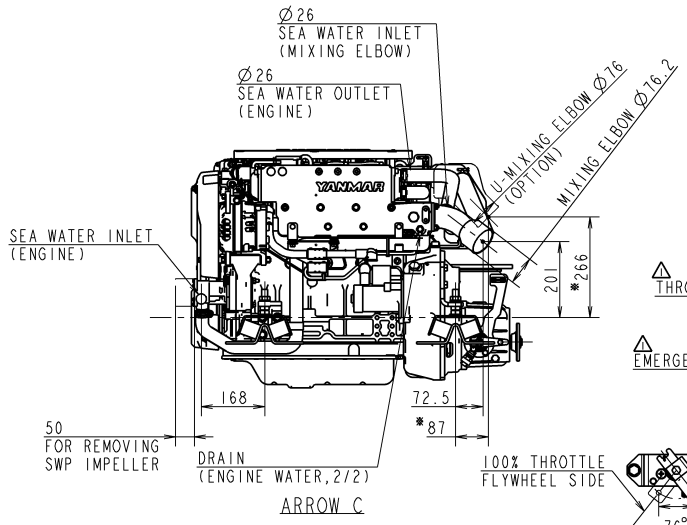
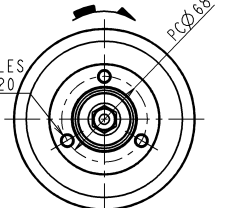


CAREER

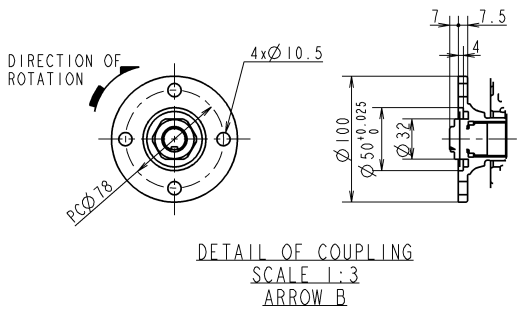
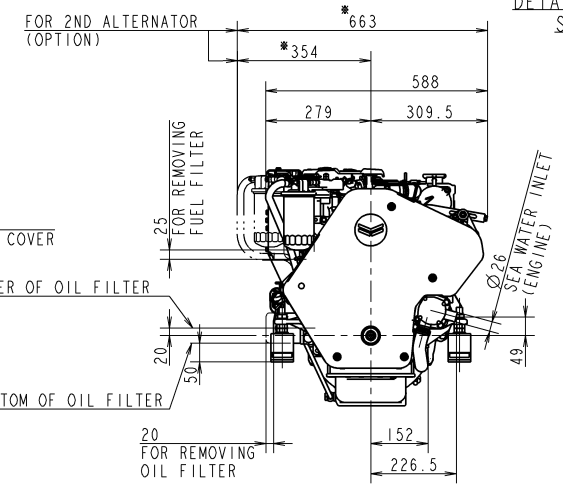
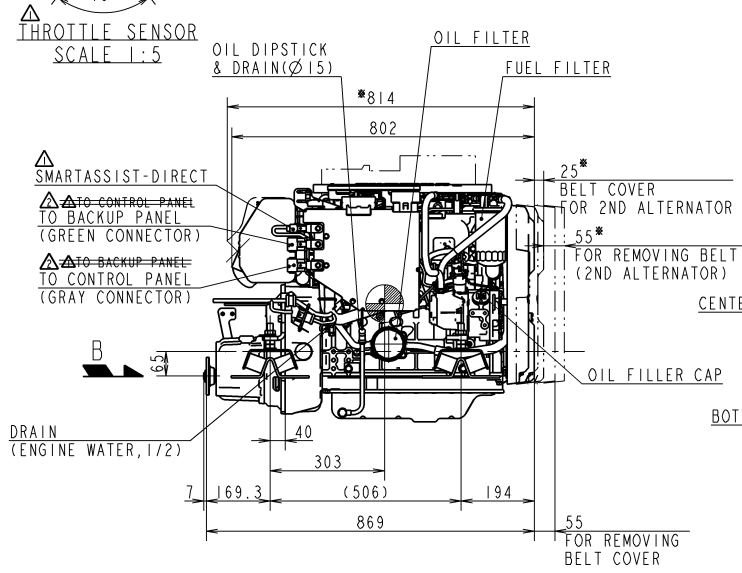
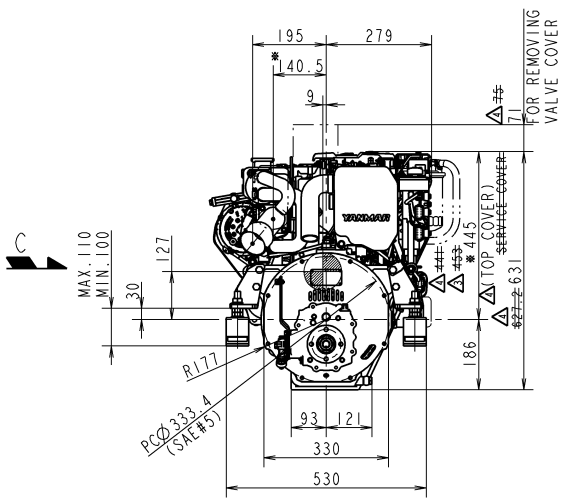
改1形 YDSBD-14004はより本機開発する。
 1改(2014.6.30)
 ・スロットルセンサ位置追加
 ・ベルトレイン3Dモデル(フロント部分)追加
 ・緊急停止スイッチ位置追加
 各マウント位置追加 (YDSBD-14012) (機田)
 2改(2014.7.18)
 コネクタ位置の指定を修正する(YDSBD-14015) (機田)
 3改(2016.4.11)
 サービスカバーオプションを規定(YDSBD-16002) (宮崎)
 REV.4(2018.3.20) CHANGE TOP COVER AND BELT COVER (YDSBD-18002)



DIRECTION OF ROTATION (ENGINE)



DETAIL OF PULLEY SCALE 1:3 ARROW A



NOTE
 1. MOUNTING BLOCKS ARE COMPRESSED ABOUT 4mm BY ENGINE WEIGHT.
 DIMENSIONS OF MOUNTING BLOCK IN THIS DRAWING ARE WITHOUT ANY DEFORMATION.
 2. MOUNTING BLOCKS ARE EQUIPPED FOR STANDARD ACCESSORY.
 3. THE FIGURES MARKED WITH * SHOW THE DIMENSIONS WITH U-MIXING ELBOW OR OPTIONAL PARTS.
 4. ○ SHOWS THE CENTER OF GRAVITY.

SPECIFICATIONS		
Model	4JH57	4JH45
Continuous Power (ISO 8665)	kW/min ⁻¹	38.1 / 2907 30.1 / 2907
Fuel Stop Power	Propeller shaft (ISO 8665) kW/min ⁻¹	---
	Crankshaft (ISO 8665) kW/min ⁻¹	41.9 / 3000 33.1 / 3000
Reduction ratio		2.36 2.61 --- 2.36 2.61 ---
Dry mass	kg	Approx. 235
Direction of rotation at output coupling (Forward)		clockwise

SEC. MANAGER 北本		MODEL	4JH 57	4JH 45	SCALE 1:10	
CHECKED	SPECIALIST	QTY	-	-	MATERIAL	
DESIGNED	DRAWN	DATE: Y.M.D	NAME			OUTLINE, 4JH57-KM35P
Y. Nuta	A. Hori	2014.3.17				
		CODE	1改	2改	3改	REV. 4
		B2-29675-0021			DRW SIZE	A2

MANAGER
1110

YANMAR CO., LTD. DEVELOPMENT DIV.