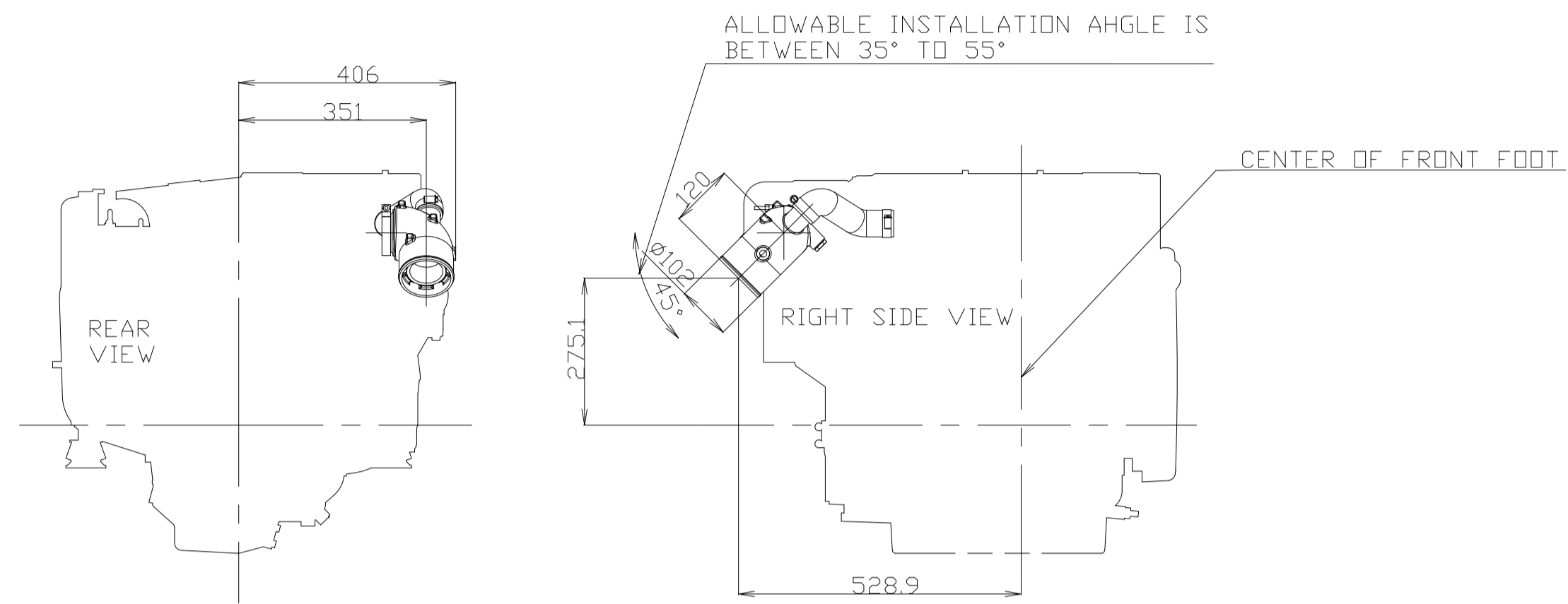
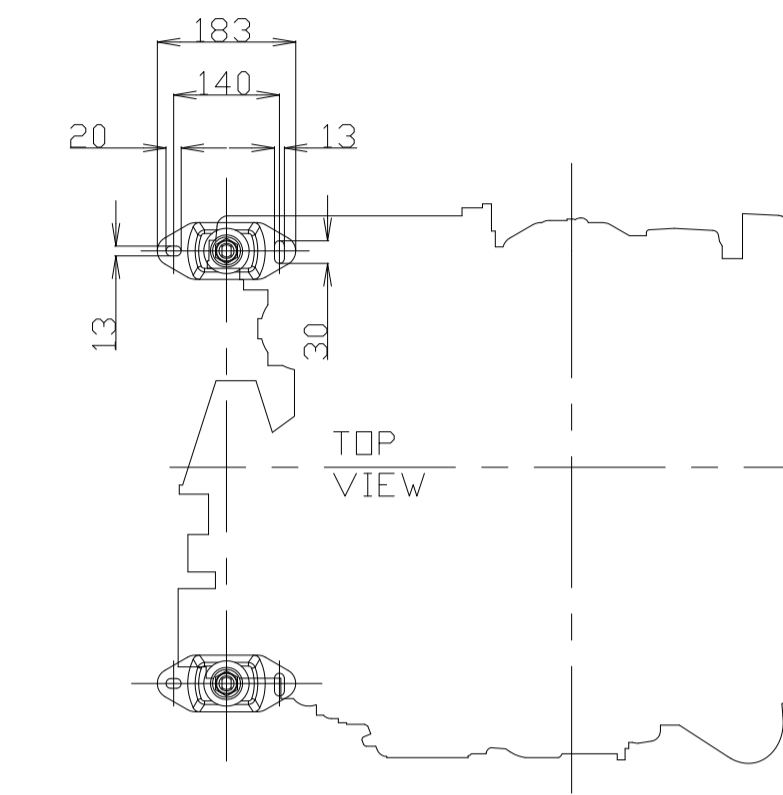


SPECIFICATIONS						
ENGINE MODEL		4BY2-150 4BY3-150	4BY2-180 4BY3-180			
FUEL STOP POWER(ISO8665) (MARINE GEAR PUTPUT)		kW	106	128		
		HP	145	174		
MARINE GEAR MODEL		KMH41A				
REDUCTION RATIO		1.24	1.53	2.04	2.45	2.62
FUEL STOP ENGINE SPEED		min <sup>-1</sup>	3238	2609	1961	1630
DIRECTION OF OUTPUTSHAFT ROTATION		BOTH				
DRY WEIGHT WITH ENGINE		kg(lb)	-			

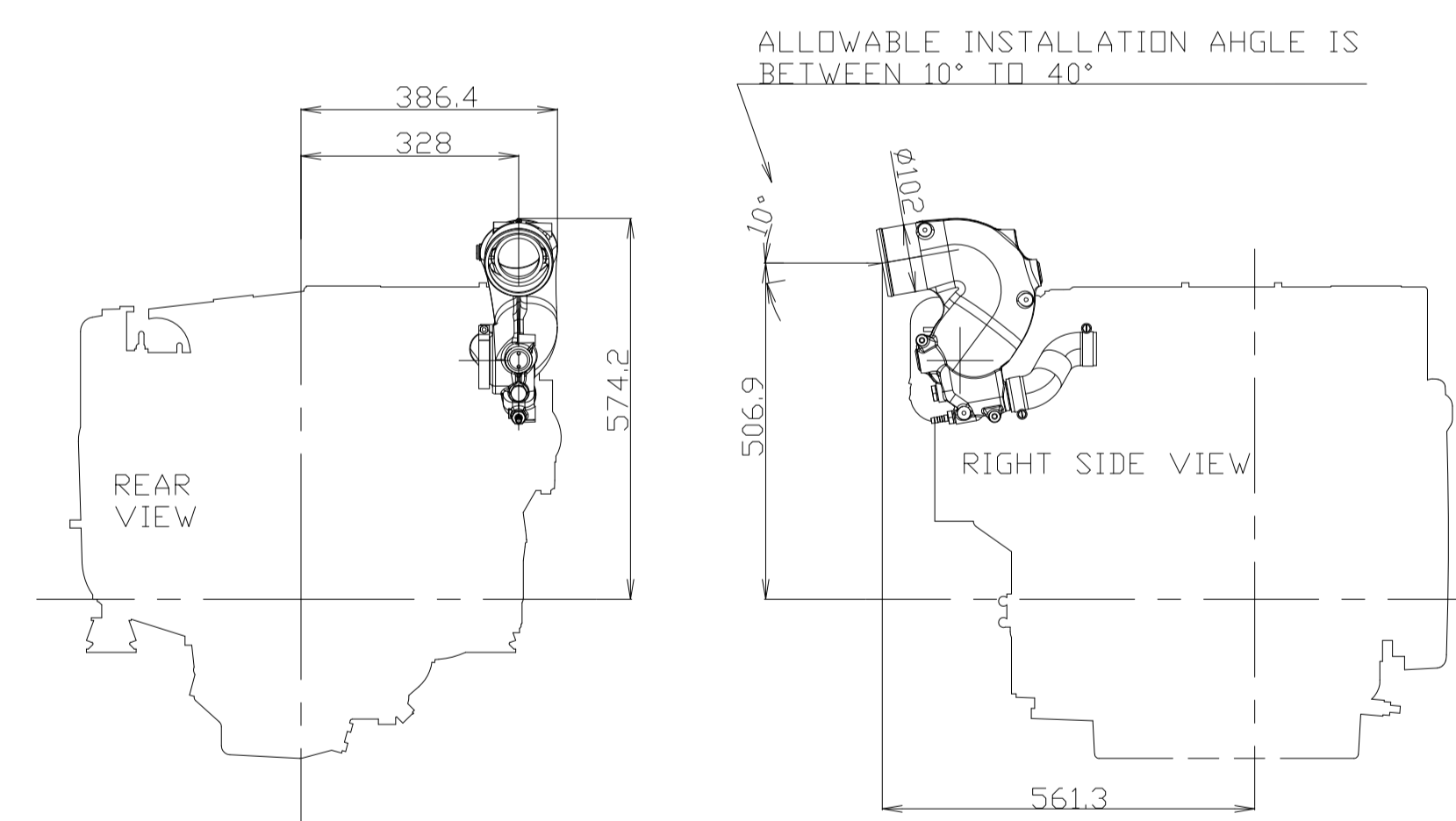
SCALE	NAME	MODEL
1:10(1:5)	OUTLINE	4BY2 APPLICA (1/2)
DATE	ORIGINAL DRAWING NUMBER	REVISION
12-23-2011	B2-20653-0020	0



TRANSOM EXHAUST (STANDARD)  
D20652-13130



REAR RUBBER MOUNT (OPTION)  
PART NUMBER:120650-08401  
DWG. SHOWS MOUNTING BLOCKS AT ORIGINAL HEIGHT.  
(ENGINE HEIGHT WILL COMPRESS MOUNTS BY APPROX. 1mm)  
D20652-08500



RISER EXHAUST (OPTION)  
D20650-13110

SCALE	NAME	MODEL
1:10	OUTLINE	4BY2 APPLICA(2/2)
DATE	ORIGINAL DRAWING NUMBER	REVISION
11-23-2011	B2-20653-0020	0