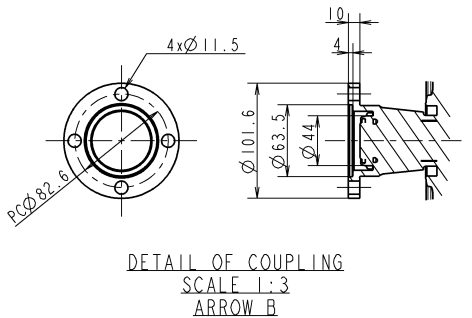
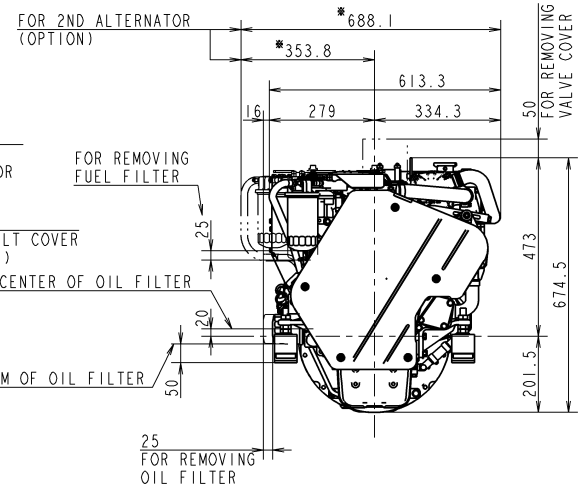
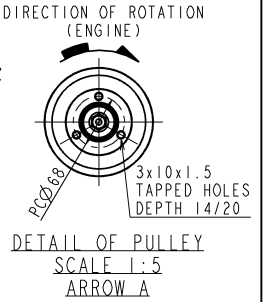
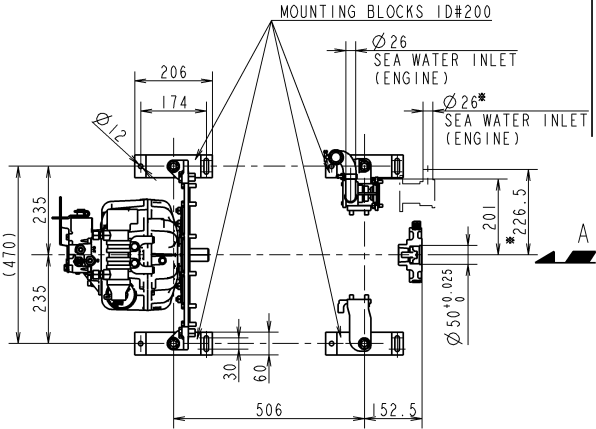
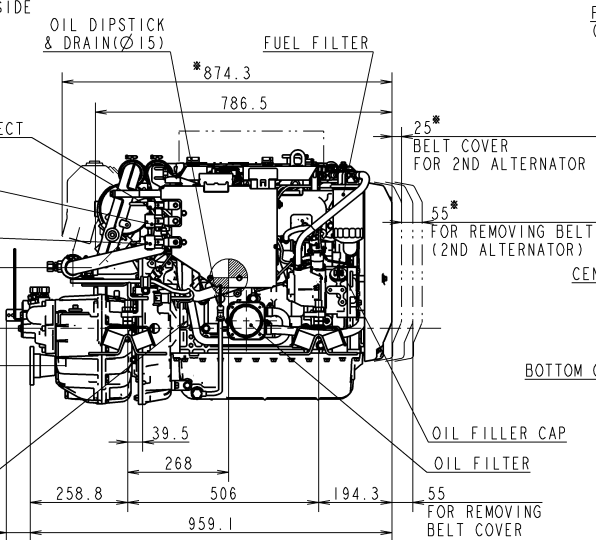
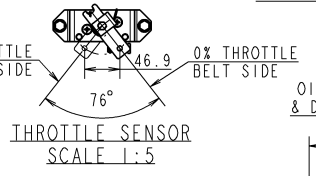
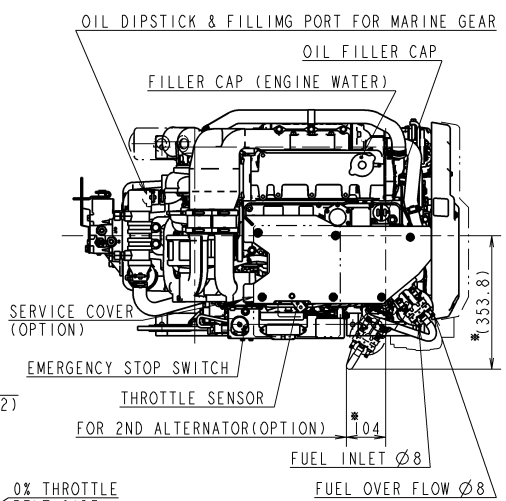
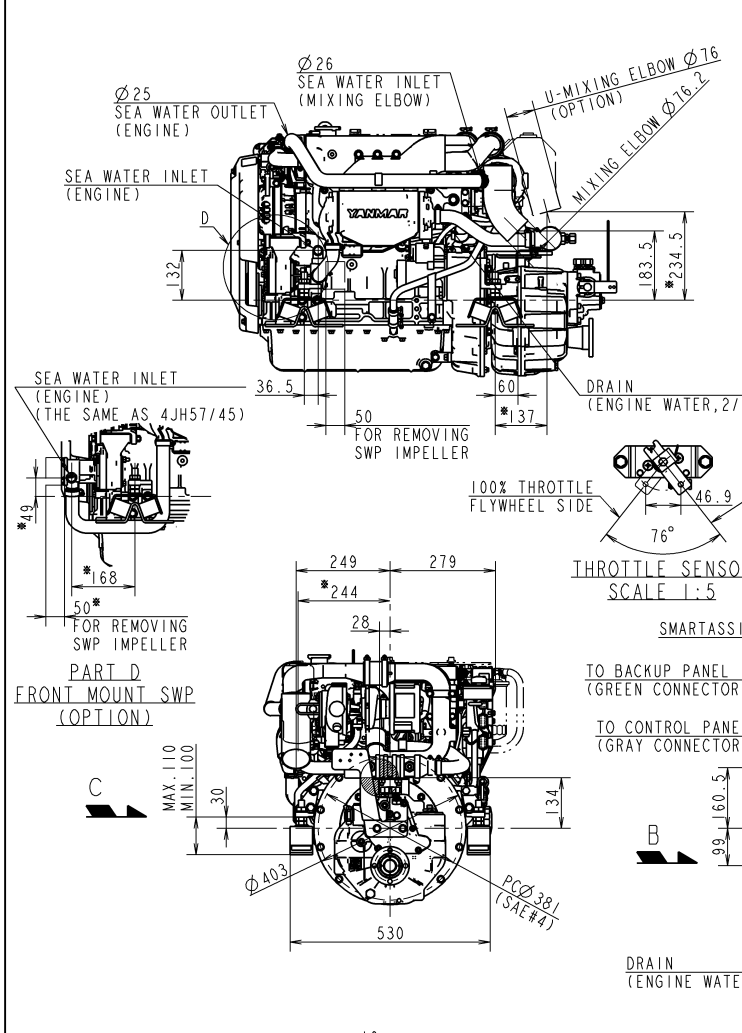


CAREER

(YDSBD-16002)



NOTE  
 1. MOUNTING BLOCKS ARE COMPRESSED ABOUT 4mm BY ENGINE WEIGHT.  
 2. DIMENSIONS OF MOUNTING BLOCK IN THIS DRAWING ARE WITHOUT ANY DEFORMATION.  
 3. THE FIGURES MARKED WITH \* SHOW THE DIMENSIONS WITH U-MIXING ELBOW OR OPTIONAL PARTS.  
 4. ● SHOWS THE CENTER OF GRAVITY.

SPECIFICATIONS					
Model	4JH110	4JH80			
Continuous Power (ISO 8665)	kW/min <sup>-1</sup>	73.6 / 3101	53.5 / 3101		
Fuel Stop Power	Propeller shaft (ISO 8665)	kW/min <sup>-1</sup>	---		
	Crankshaft (ISO 8665)	kW/min <sup>-1</sup>	80.9 / 3200	58.8 / 3200	
Reduction ratio		1.97   2.80	---	1.97   2.80	---
Dry mass	kg	Approx. 262			
Direction of Rotation at Output Coupling (Forward)		BOTH			

SEC. MANAGER 北本		MODEL	4JH110	4JH80	SCALE	1:10	
CHECKED 北本	SPECIALIST	QTY	-	-	MATERIAL		
DESIGNED K. Shiga	DRAWN F. Kishida	DATE: Y.M.D	2017.2.27				
		NAME	4JH110-ZF25-M-SHIFT				
<b>YANMAR</b>						CODE	B2-29677-0090
YANMAR CO., LTD. DEVELOPMENT DIV.						DRAWN SIZE	A2

MANAGER  
1110