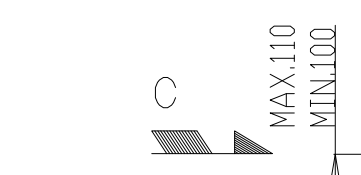
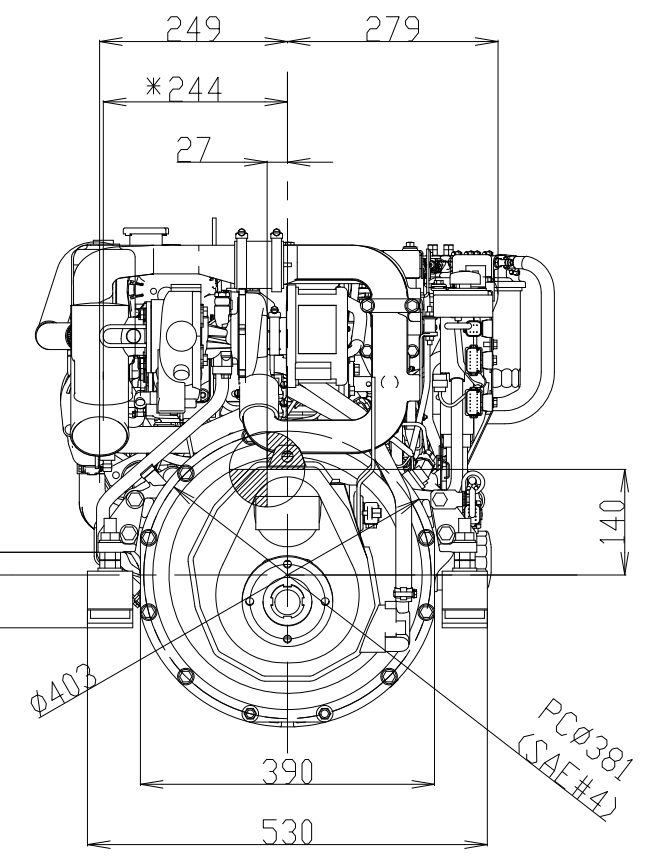
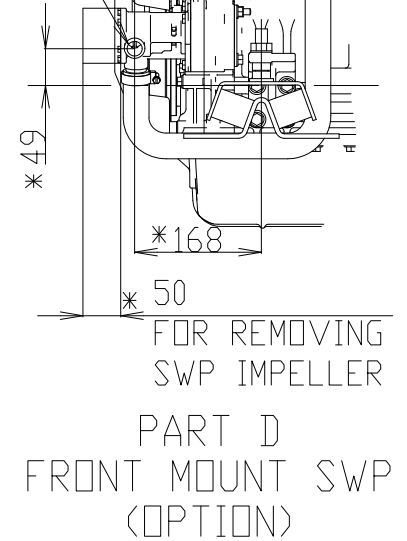
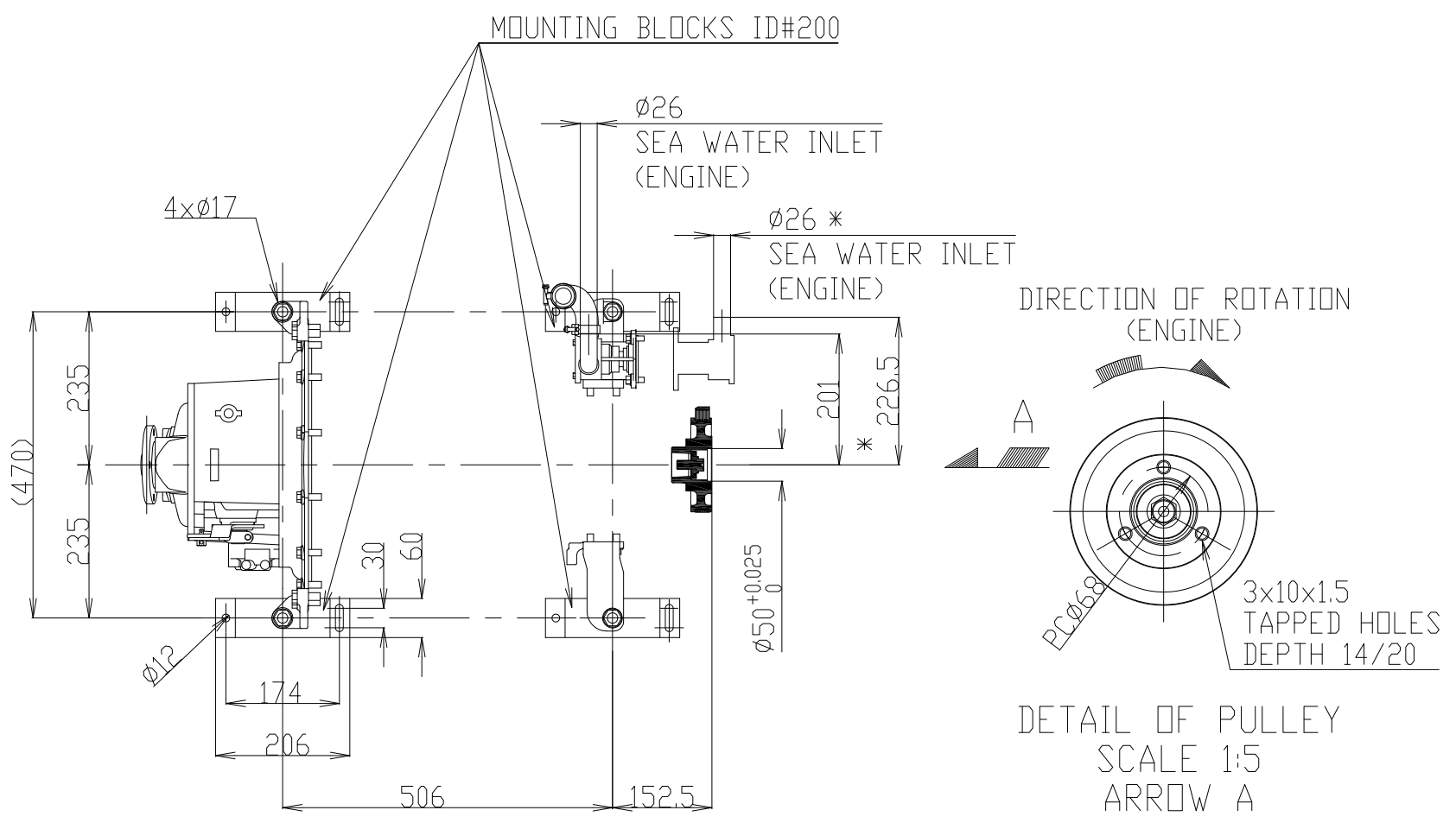
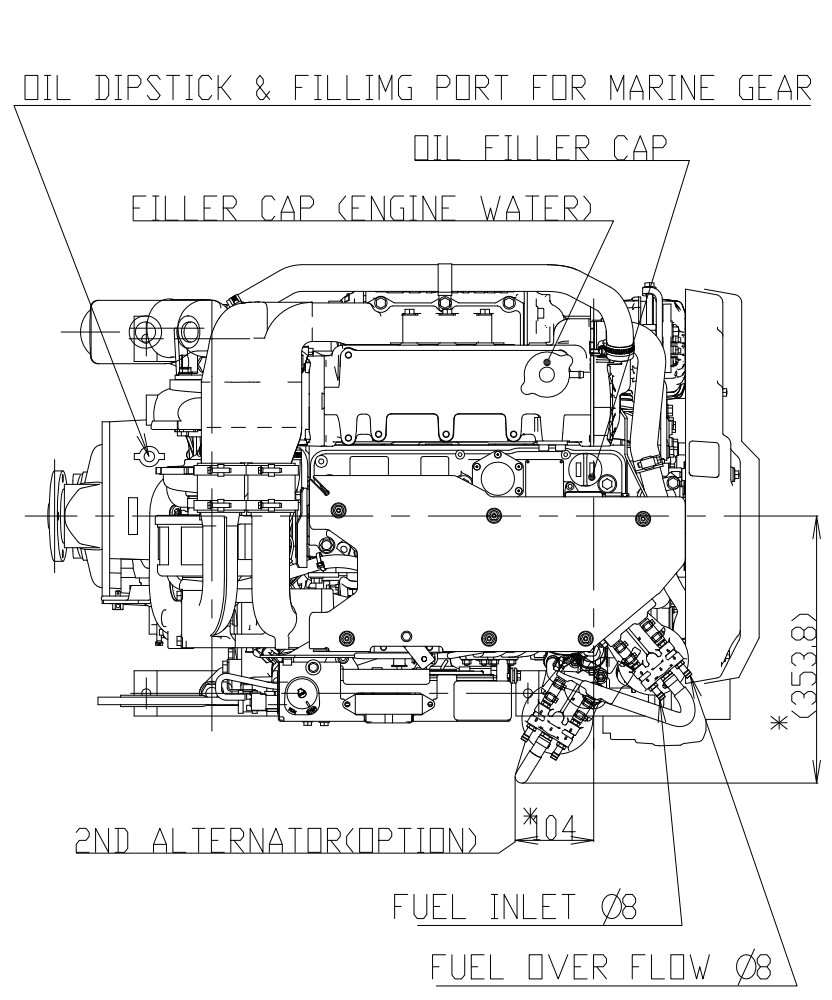


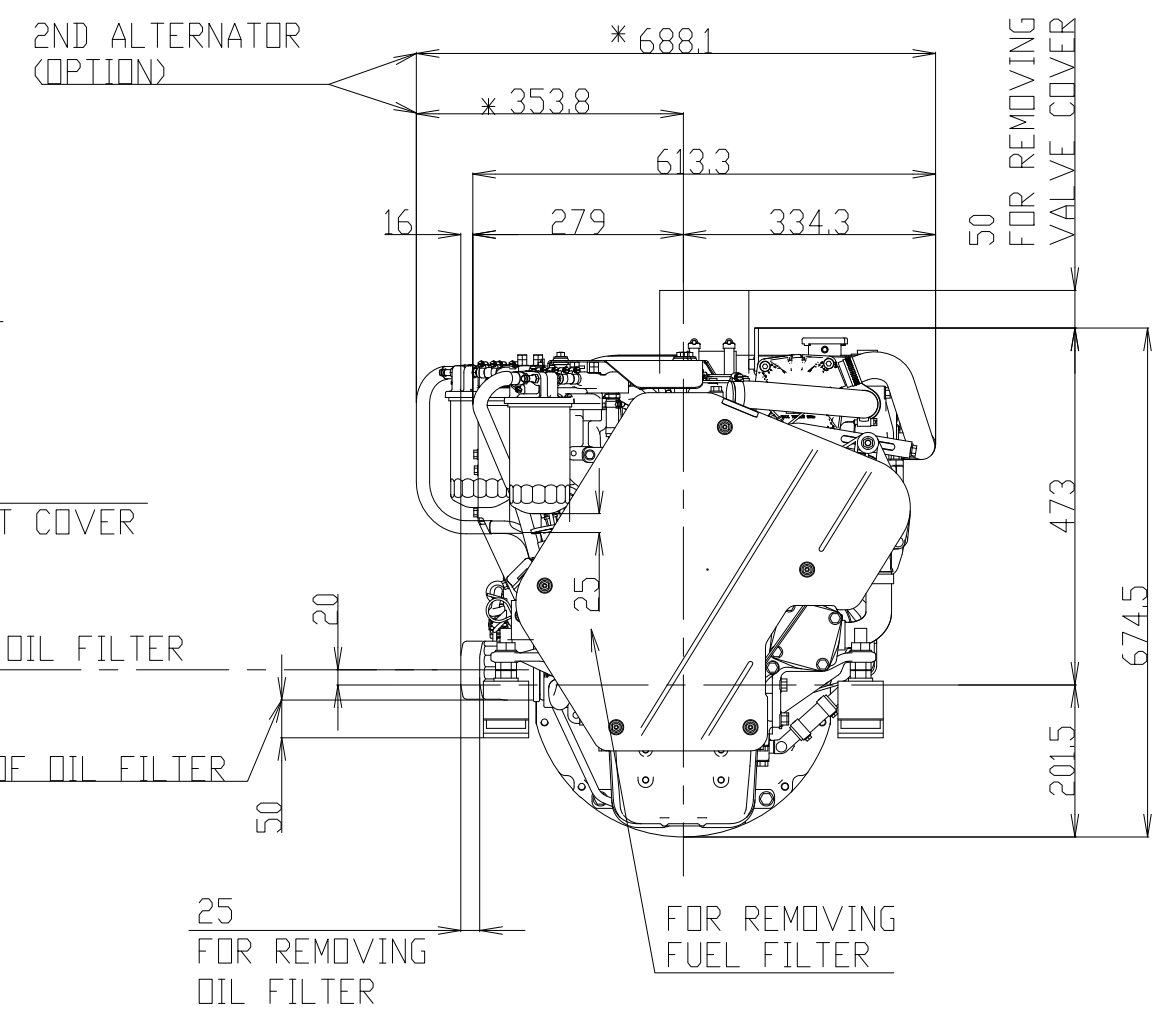
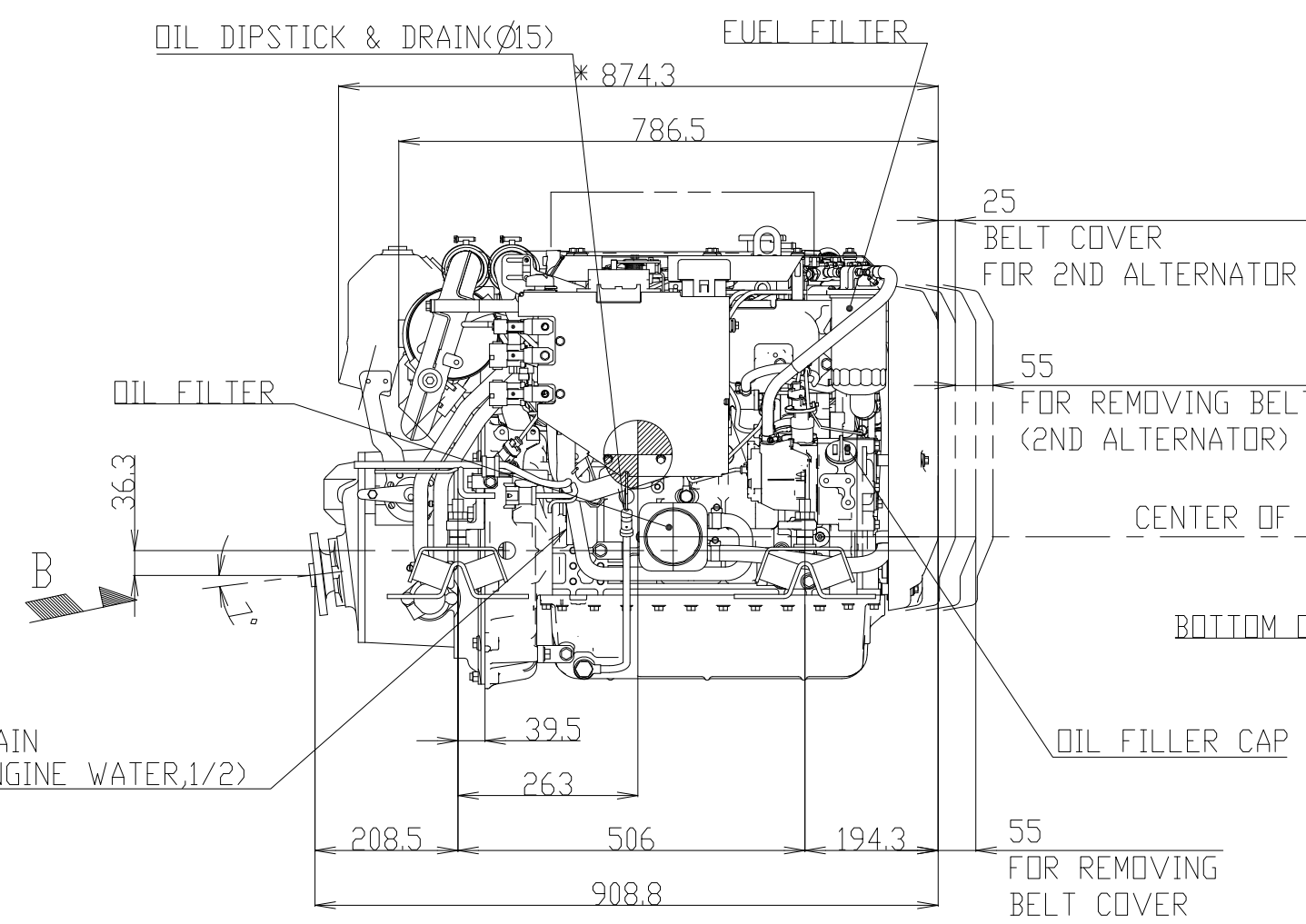
ARROW C



DETAIL OF COUPLING
SCALE 1:3
ARROW B



DETAIL OF PULLEY
SCALE 1:5
ARROW A



NOTE
 1.MOUNTING BLOCKS ARE COMPRESSED ABOUT 4mm BY ENGINE WEIGHT.
 DIMENSIONS OF MOUNTING BLOCK IN THIS DRAWING ARE WITHOUT ANY DEFORMATION.
 2.MOUNTING BLOCKS ARE EQUIPPED FOR STANDARD ACCESSORY.
 3.THE FIGURES MARKED WITH * SHOW THE DIMENSIONS WITH U-MIXING ELBOW, OR OPTIONAL PARTS.
 4. ● SHOWS THE CENTER OF GRAVITY.

SPECIFICATIONS						
Model	4JH110		4JH80			
Continuous Power(ISO 8665)	kW/min ⁻¹		73.6 / 3101		53.5 / 3101	
Fuel Stop Power	Propeller shaft(ISO 8665)		---		---	
	Crankshaft(ISO 8665)		kW/min ⁻¹		80.9 / 3200 58.8 / 3200	
Reduction ratio	1.47	2.14	2.63	1.47	2.14	2.63
Dry mass	kg		Approx.263			
Direction of Rotation at Output Coupling (Forward)	BOTH					

SCALE	NAME	MODEL
1:10	OUTLINE	4JH110-KM4A2
DATE	ORIGINAL DRAWING NUMBER	REVISION
17-3-2014	B2-29677-0021	0