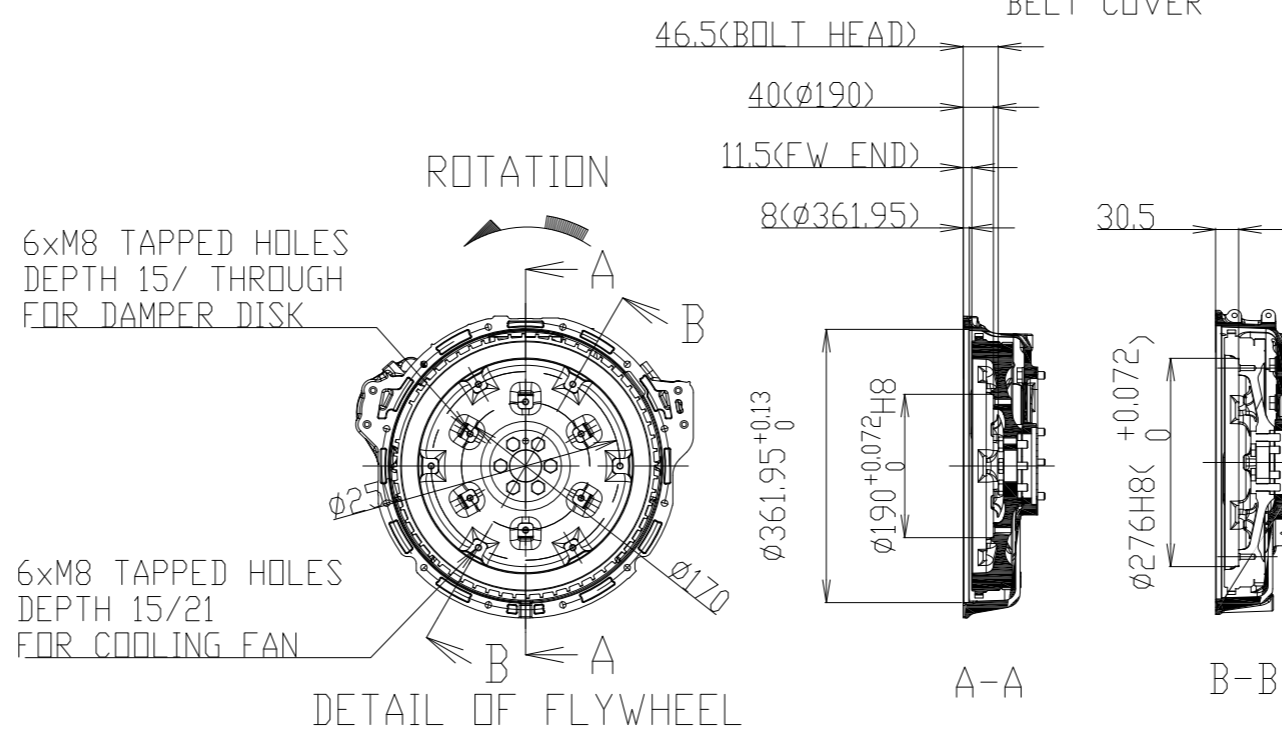


NOTE
 1.MOUNTING BLOCKS ARE COMPRESSED ABOUT 4mm BY ENGINE WEIGHT.
 DIMENSIONS OF MOUNTING BLOCK IN THIS DRAWING ARE WITHOUT ANY DEFORMATION.
 2.MOUNTING BLOCKS ARE EQUIPPED FOR STANDARD ACCESSORY.
 3.THE FIGURES MARKED WITH * SHOW THE DIMENSIONS WITH U-MIXING ELBOW, OR OPTIONAL PARTS.
 4. \bullet SHOWS THE CENTER OF GRAVITY.

SPECIFICATIONS			
Model		4JH110	4JH80
Continuous Power(ISO 8665)	kW/min ¹	73.6 / 3101	53.5 / 3101
Fuel Stop Power	Propeller shaft(ISO 8665)	---	---
	Crankshaft(ISO 8665)	80.9 / 3200	58.8 / 3200
Reduction ratio		---	---
Dry mass	kg	Approx.229	
Direction of Crankshaft rotation		Counter-clockwise	



SCALE	NAME	MODEL
1:10	OUTLINE	4JH110/80
DATE	ORIGINAL DRAWING NUMBER	REVISION
17-3-2014	B2-29677-0011	0