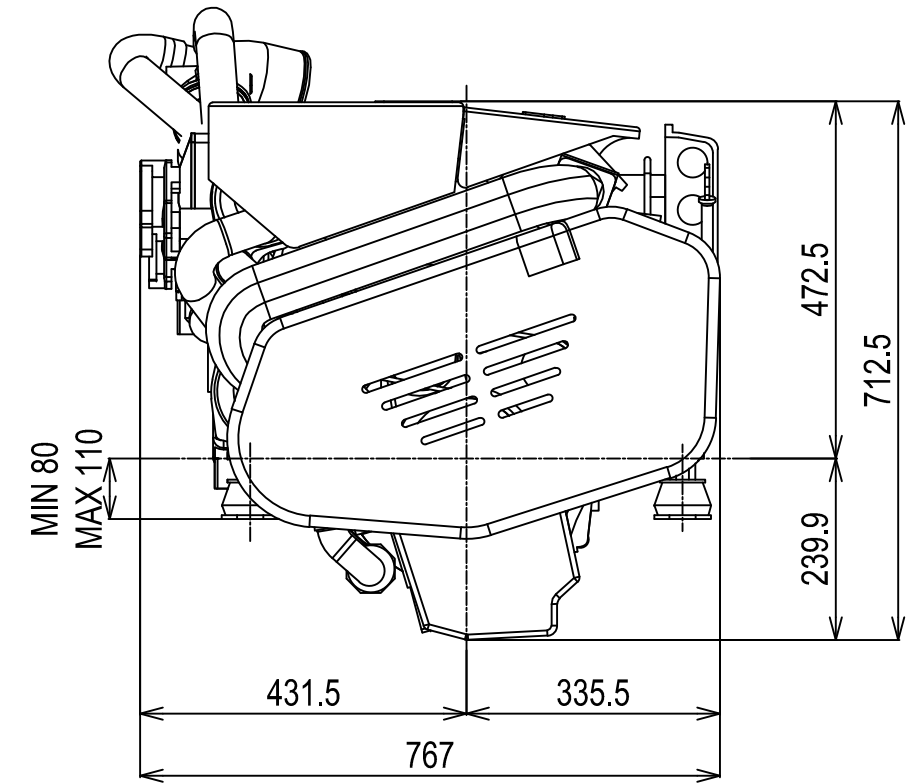
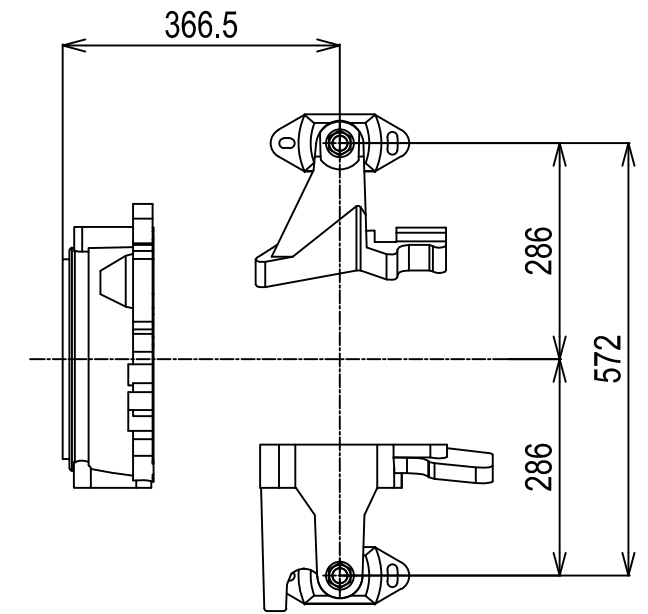
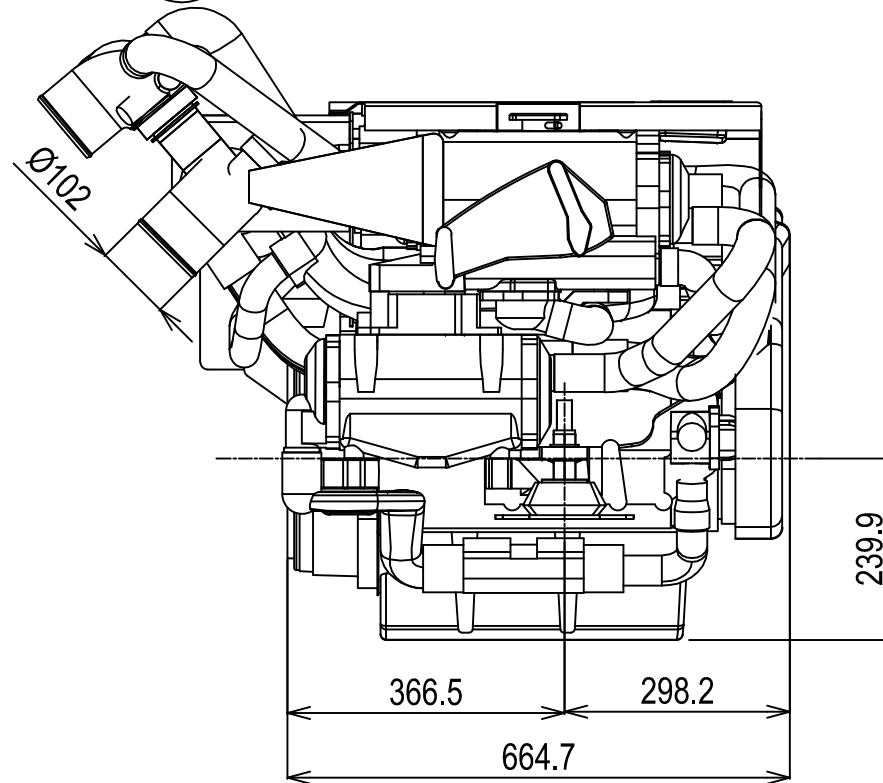
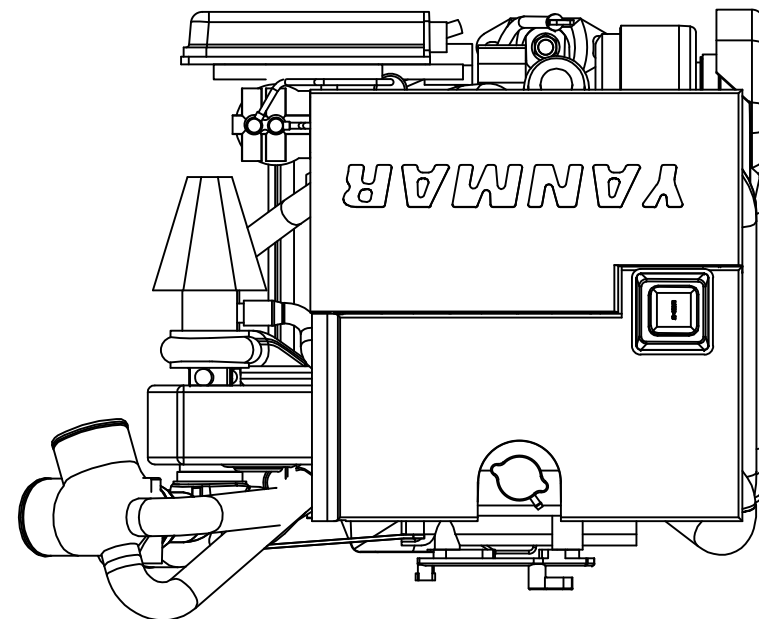
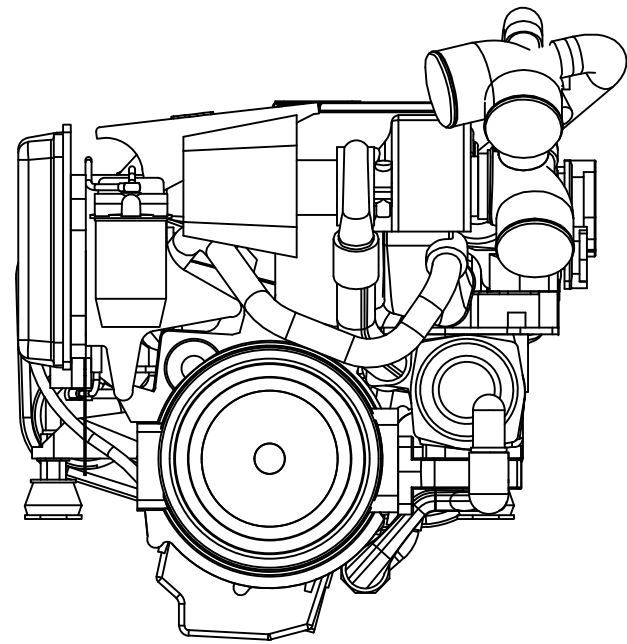
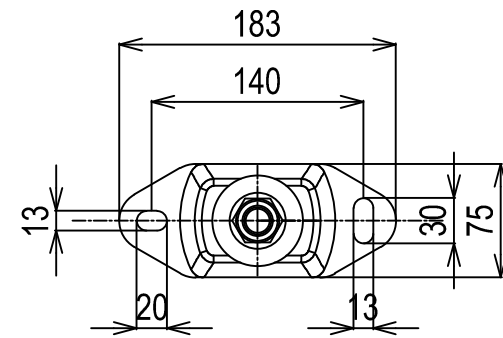


DETAIL OF MOUNTING BLOCK



NOTE:

- 1.DWG.SHOWS MOUNTING BLOCKS AT ORIGINAL HEIGHT.
ENGINE WEIGHT WILL COMPRESS BLOCKS BY 4MM(APPROX).
- 2.MOUNTING BLOCKS ARE EQUIPPED FOR STANDARD ACCESSORY.
- 3.● SHOWS THE CENTER OF GRAVITY.
- 4.FOR ADDITIONAL INSTALLATION INFORMATION AND SPECIFICATIONS
PLEASE REFER TO THE YANMAR ENGINE INSTALLATION MANUAL

Engine: 4BY3-180(150)_BOBTAIL

Release: 03-06-2008

Scale: 1:10

Date: 01-04-2013

Dimensions: mm

YANMAR